

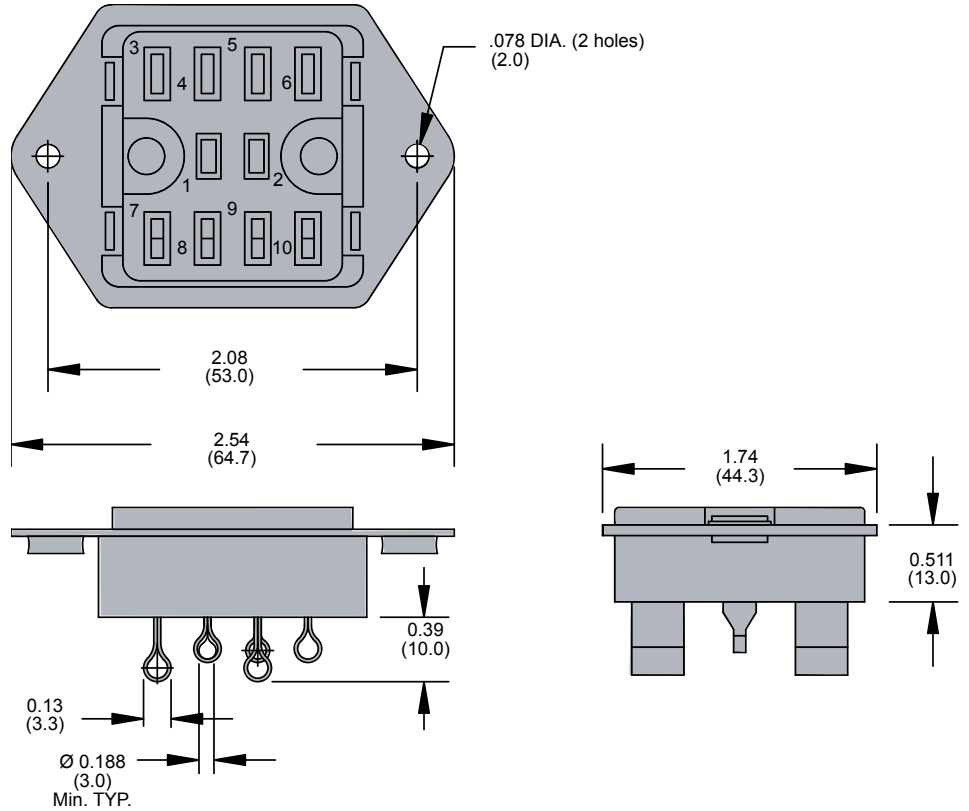
Accessories & Sockets

97 - Solder Terminal Socket

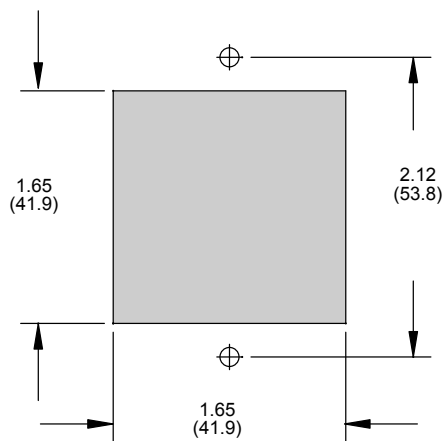
Outline Dimensions

Dimensions Shown in inches & (millimeters)

97 Socket



Recommended chassis layout



97 Socket Part Number Chart

Part Numbers	Style	Weight (Grams)
SK-SQB10-PW	10 circuit, chassis mounted, solder terminal	48